

# JVC

# SCHEMATIC DIAGRAMS

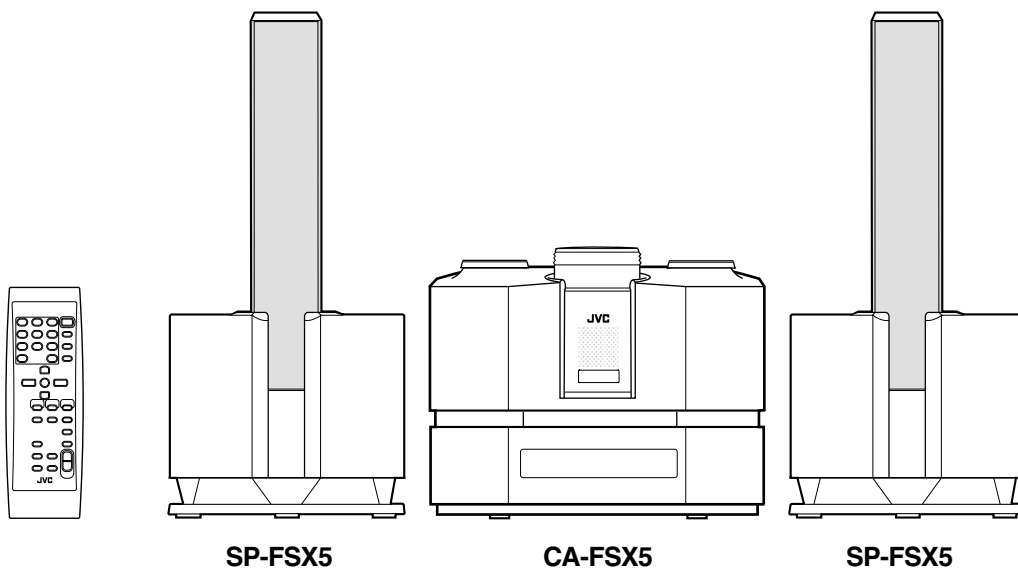
## COMPACT COMPONENT SYSTEM

### FS-X5

CD-ROM No.SML200309

Area suffix

C ..... Canada



### Contents

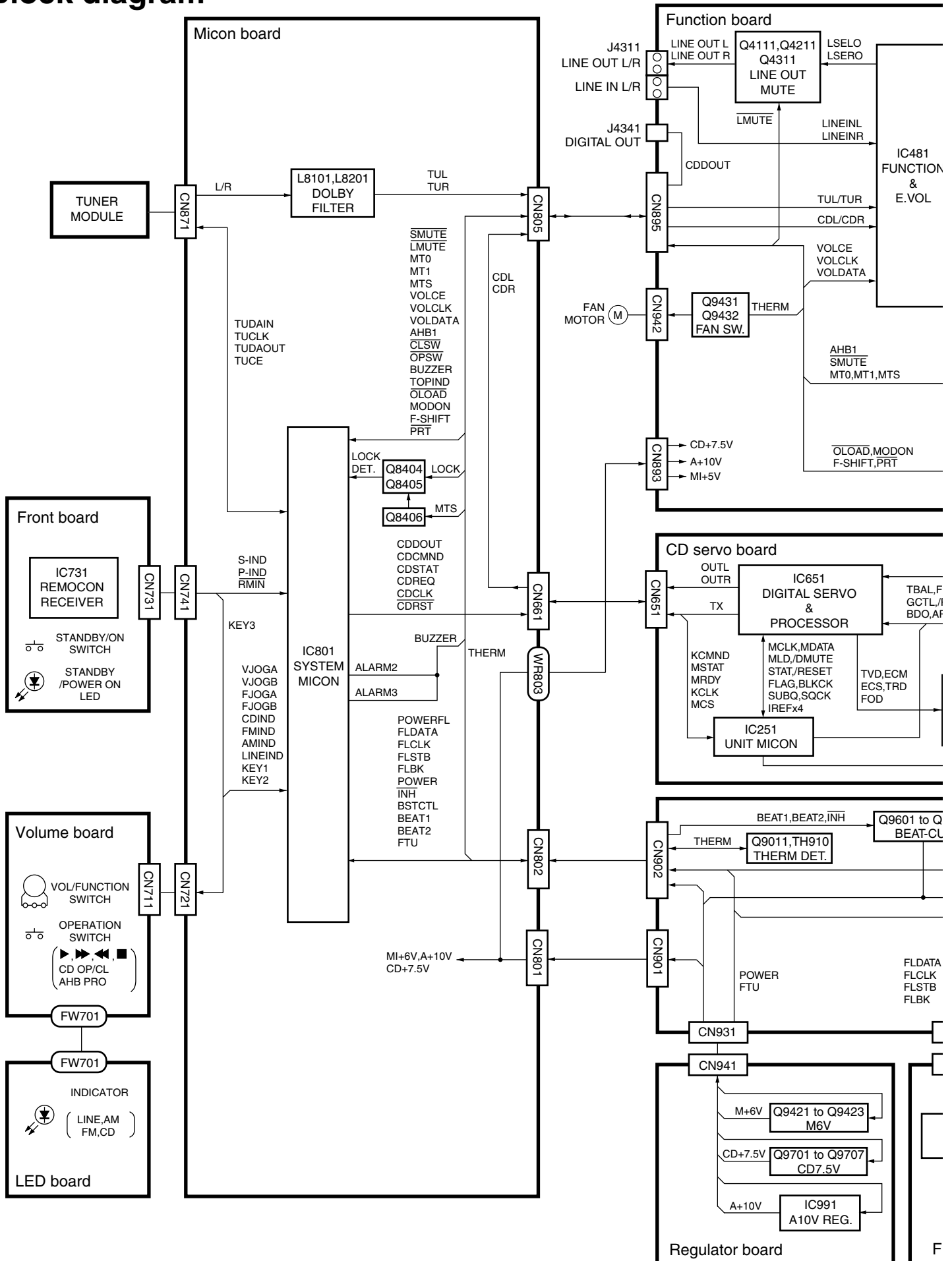
Block diagram .....	2-1
Standard schematic diagrams .....	2-3
Printed circuit boards .....	2-13 to 21

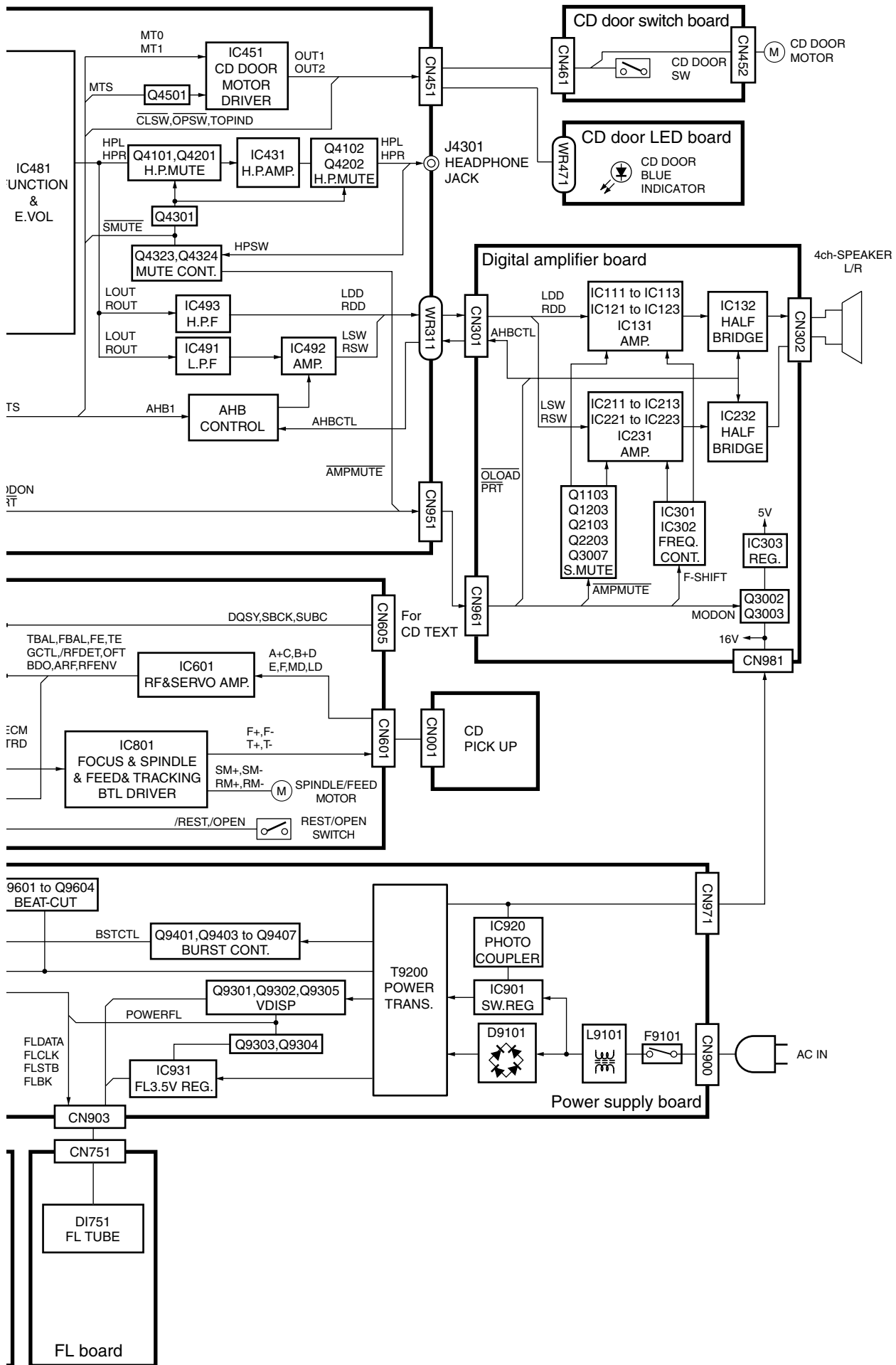
In regard with component parts appearing on the silk-screen printed side (parts side) of the PWB diagrams, the parts that are printed over with black such as the resistor (■), diode (⬤) and ICP (●) or identified by the "▲" mark nearby are critical for safety.

(This regulation does not correspond to J and C version.)

< MEMO >

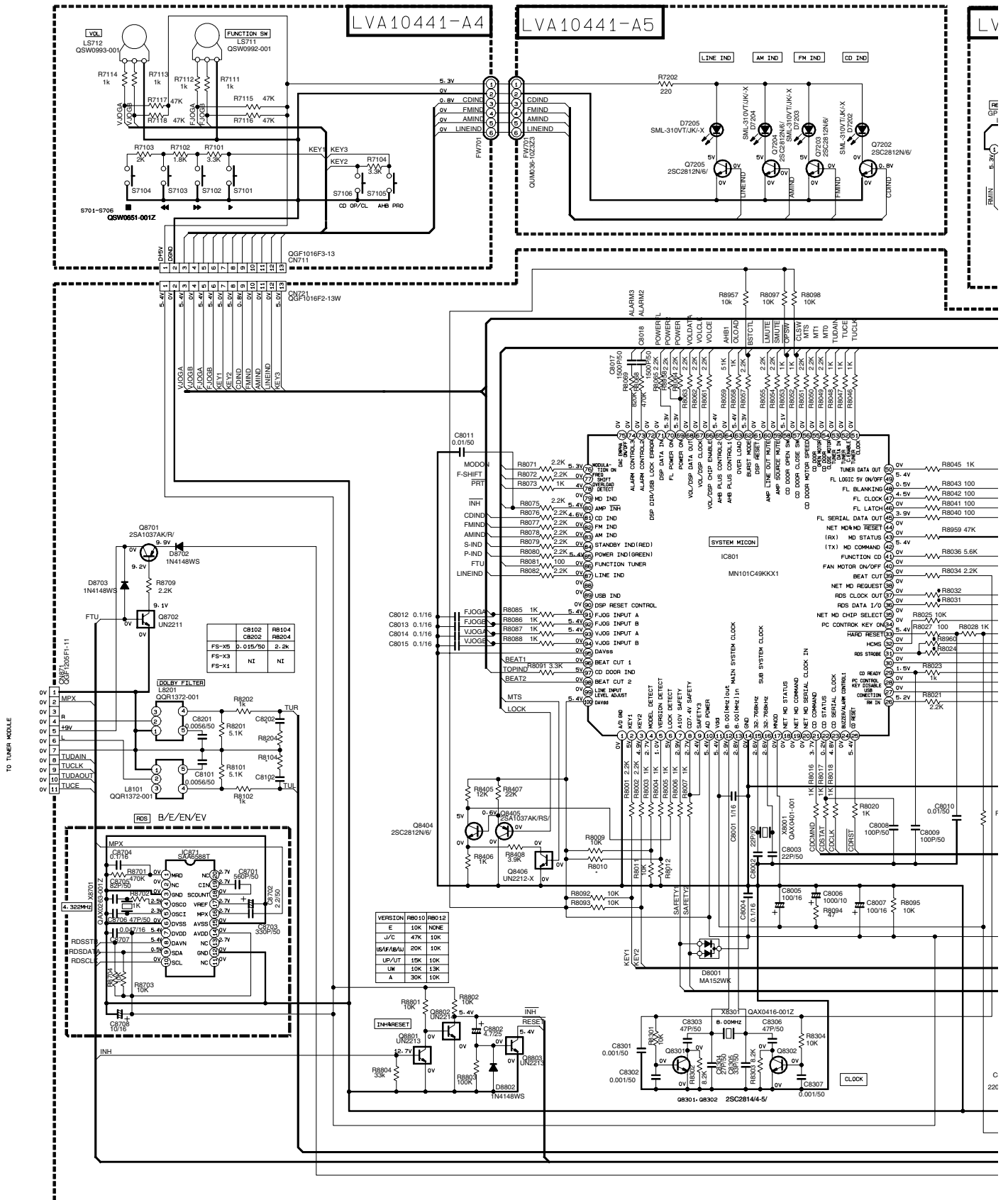
# Block diagram



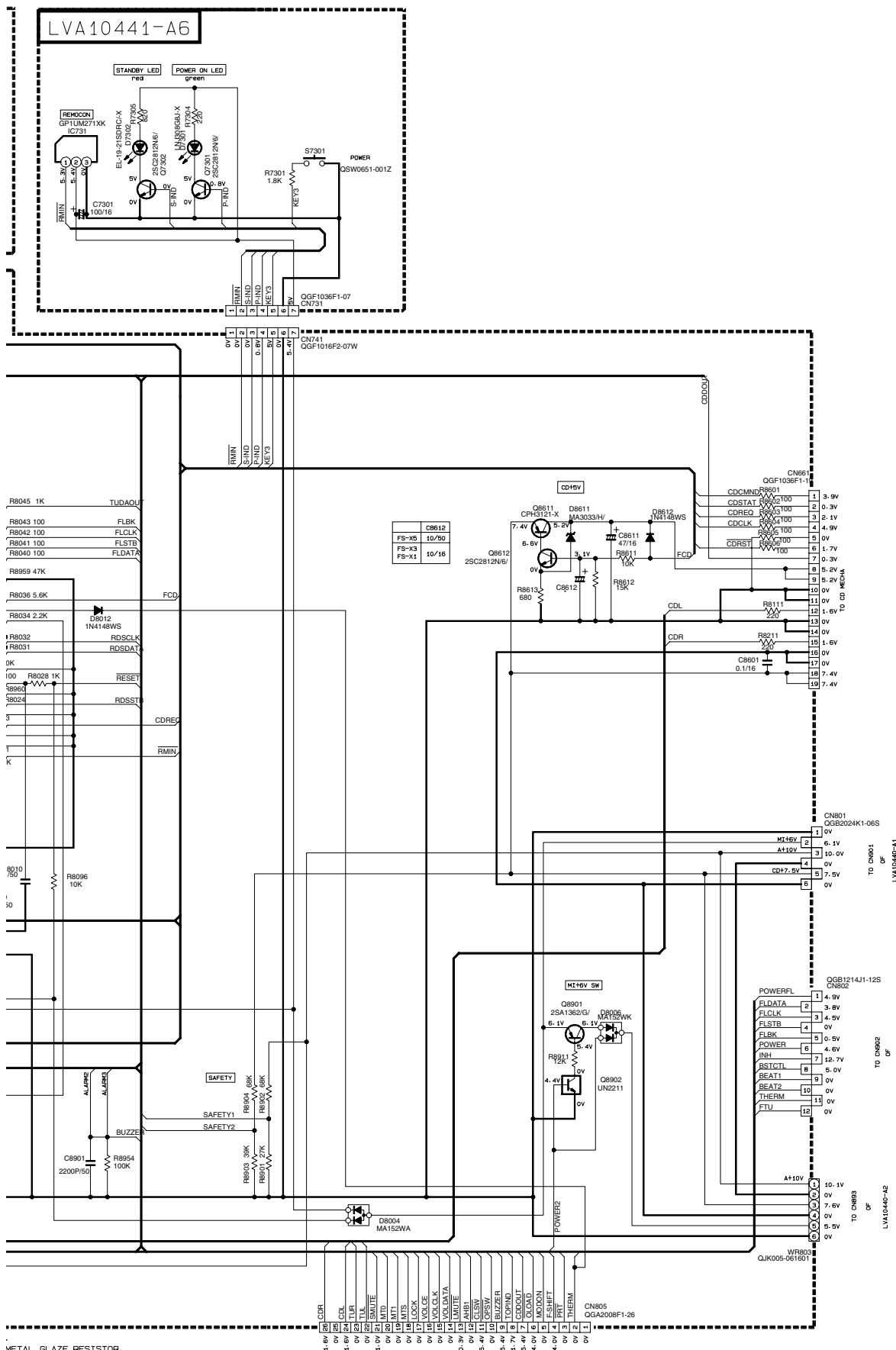


# Standard schematic diagrams

## System control / Front / Key / Volume / LED section

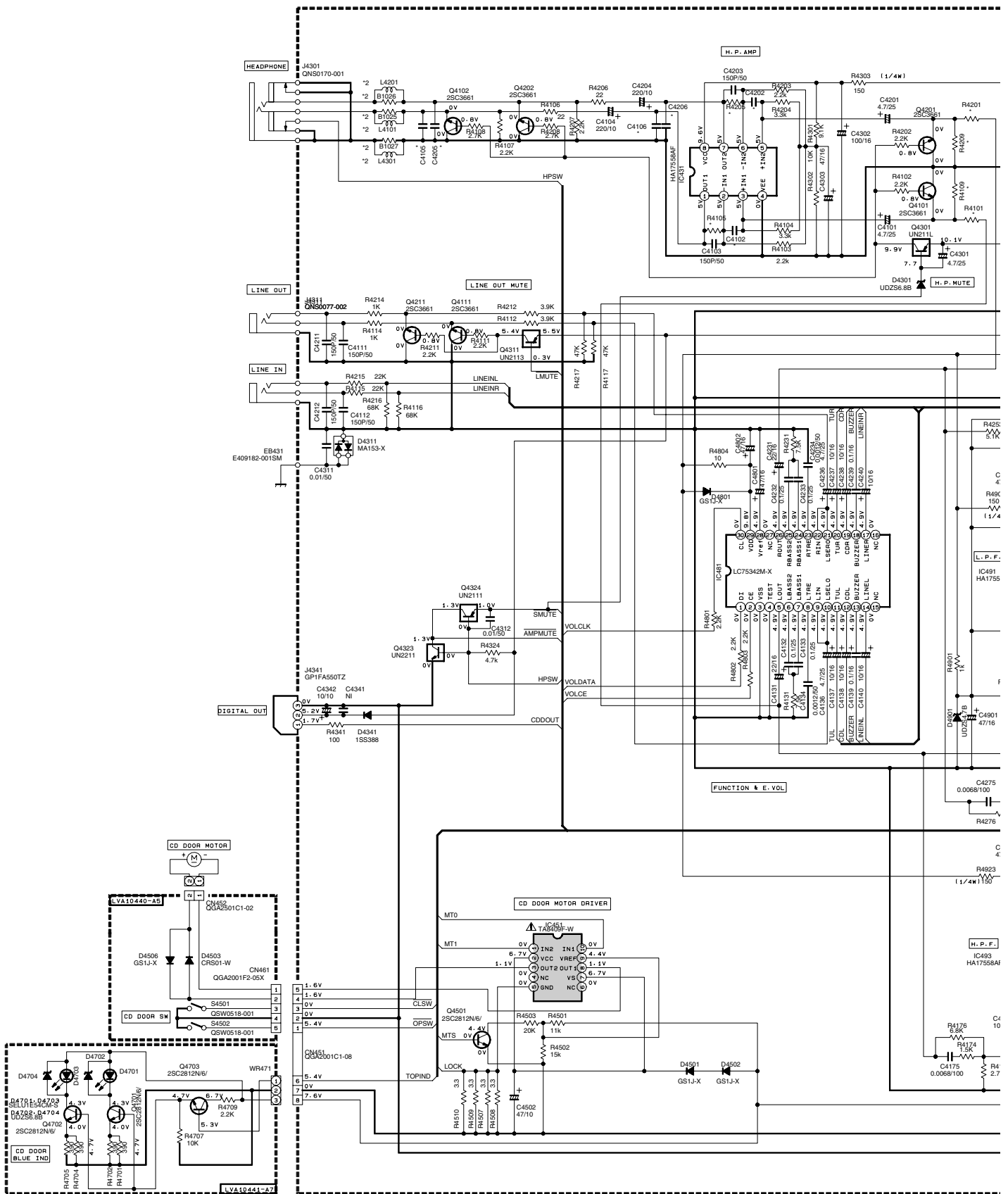


# LVA10441-A6



METAL GLAZE RESISTOR.  
 RE IN OHM (Ω).  
 KAMIC CAPACITOR OR MYLAR CAPACITOR.  
 ARE IN #F (P=PF).  
 RE IN #H (M=MF).  
 OWN IN THE FORM RESET OF INH CAPACITANCE

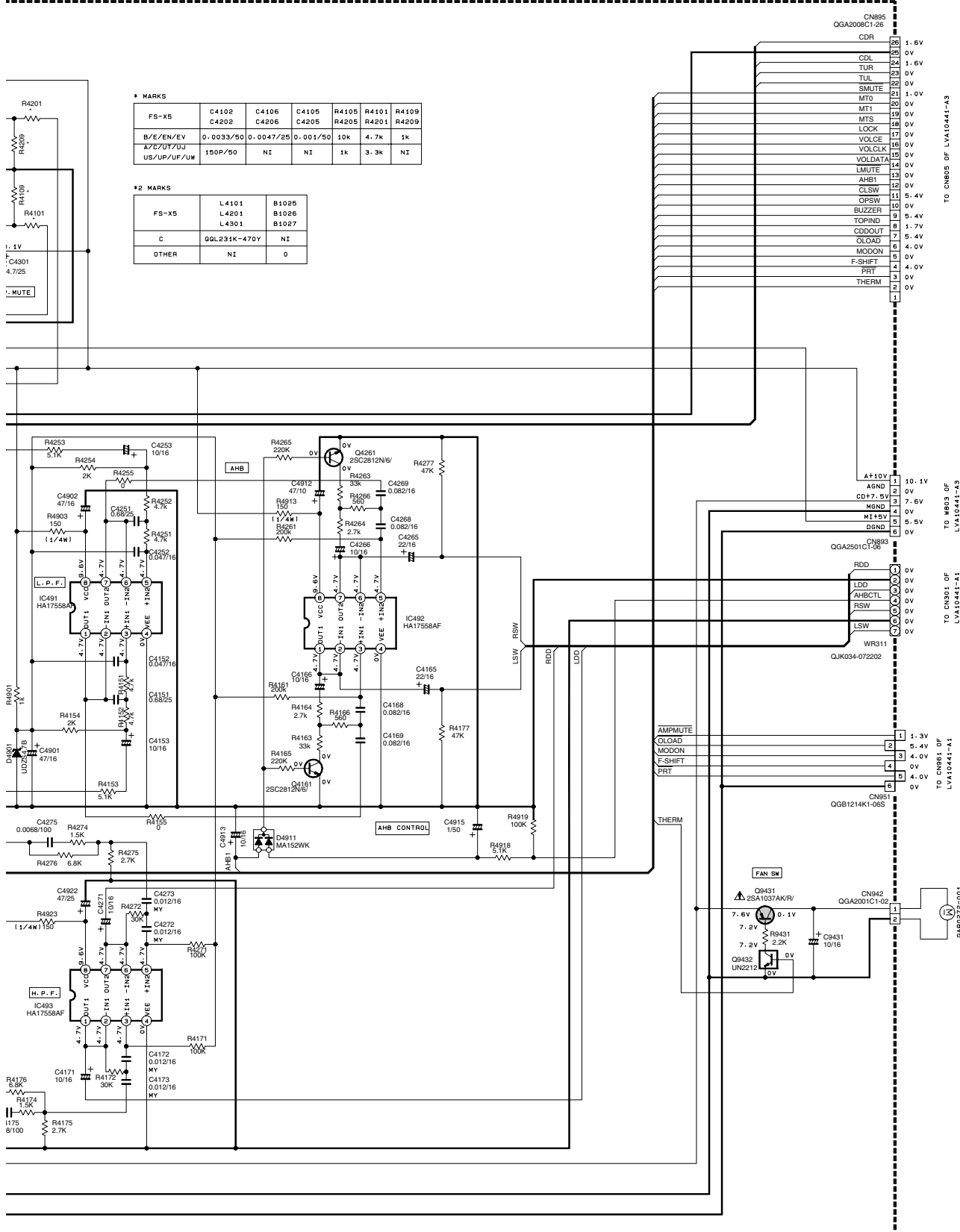
# Function / CD door switch / CD door LED / AHB control section



▲ Parts are safety assurance parts.  
When replacing those parts make sure to use the specified one.

	R1	R2
	UN2111	10K 10K
	UN2113	47K 47K
	UN211L	4.7K 4.7K





\* MARKS

FS-X5	C4102	C4106	C4105	R4105	R4101	R4109
	C4202	C4206	C4205	R4205	R4201	R4209
B/E/EN/EV	0.0033/50	0.0047/25	0.001/50	10K	4.7K	1K
A7C/07/0J	150P/50	NI	NI	1K	3.3K	NI
US/UP/UF/UW						

\*2 MARKS

FS-X5	L4101	B1025
	L4201	B1026
	L4301	B1027
C	0.01231K-470Y	NI
OTHER	NI	0

**NOTES**

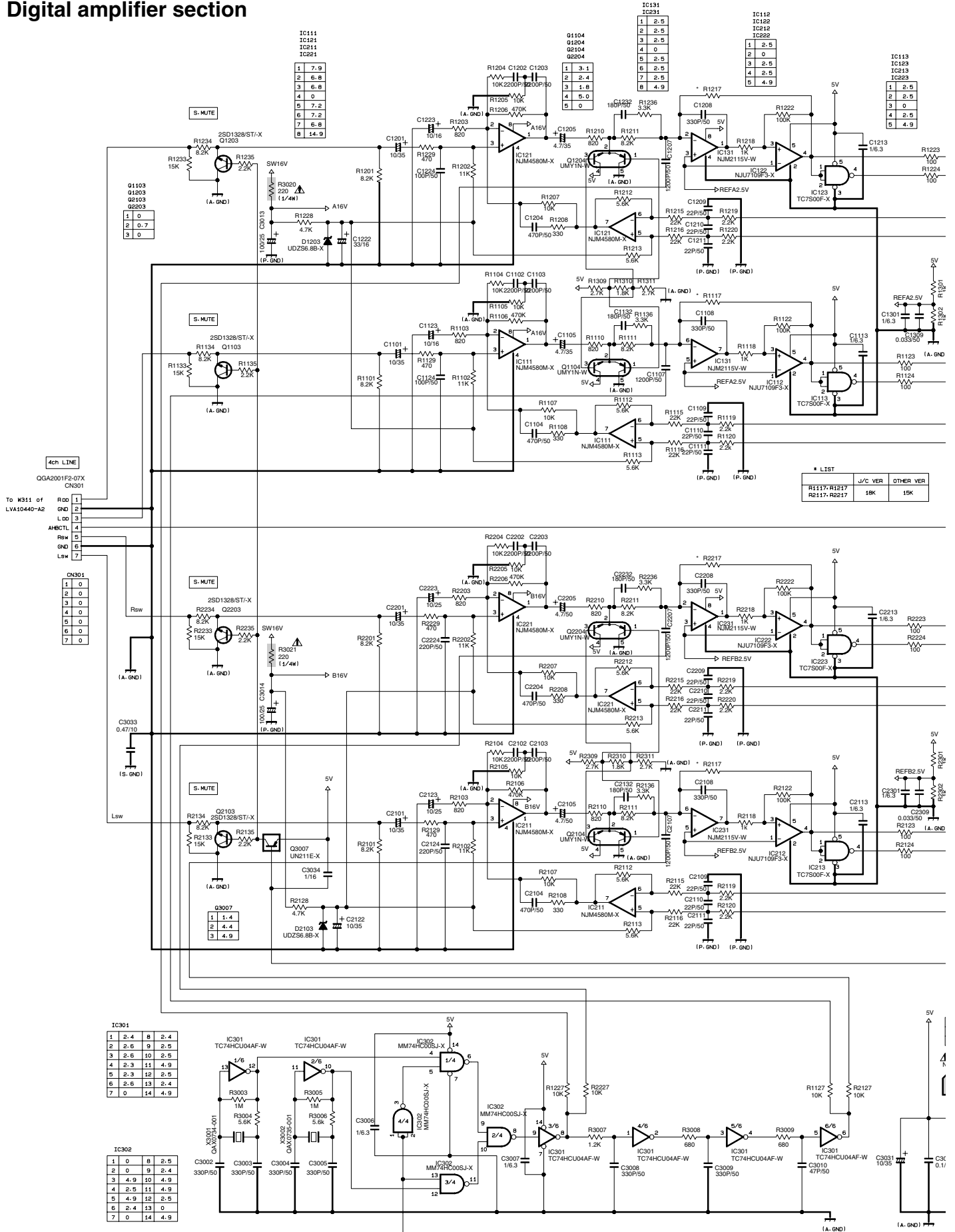
1. VOLTAGE ARE CD-MEASURED WITH A DIGITAL VOLT METER WITHOUT INPUT SIGNAL.  
CONDITION - CD STOP MODE.

2. UNLESS OTHERWISE SPECIFIED:  
RESISTORS ARE 1/16W ± 5% METAL GLAZE RESISTOR.  
ALL RESISTANCE VALUES ARE IN OHM (Ω).  
ALL CAPACITORS ARE CERAMIC CAPACITOR OR MYLAR CAPACITOR.  
ALL CAPACITANCE VALUES ARE IN μF (P=PF).  
ALL INDUCTANCE VALUES ARE IN μH (M=MH).  
ALL E-CAPACITORS ARE SHOWN IN THE FORM RESET OF INH CAPACITANCE (A F)/RATED VOLTAGE (V).

	R1	R2
	UN2211	10K
	UN2212	22K

**LVA10440-A2**

# Digital amplifier section



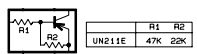
\* LIST

R117, R127	R217, R217	J/C VER	OTHER VER
19K	19K		19K

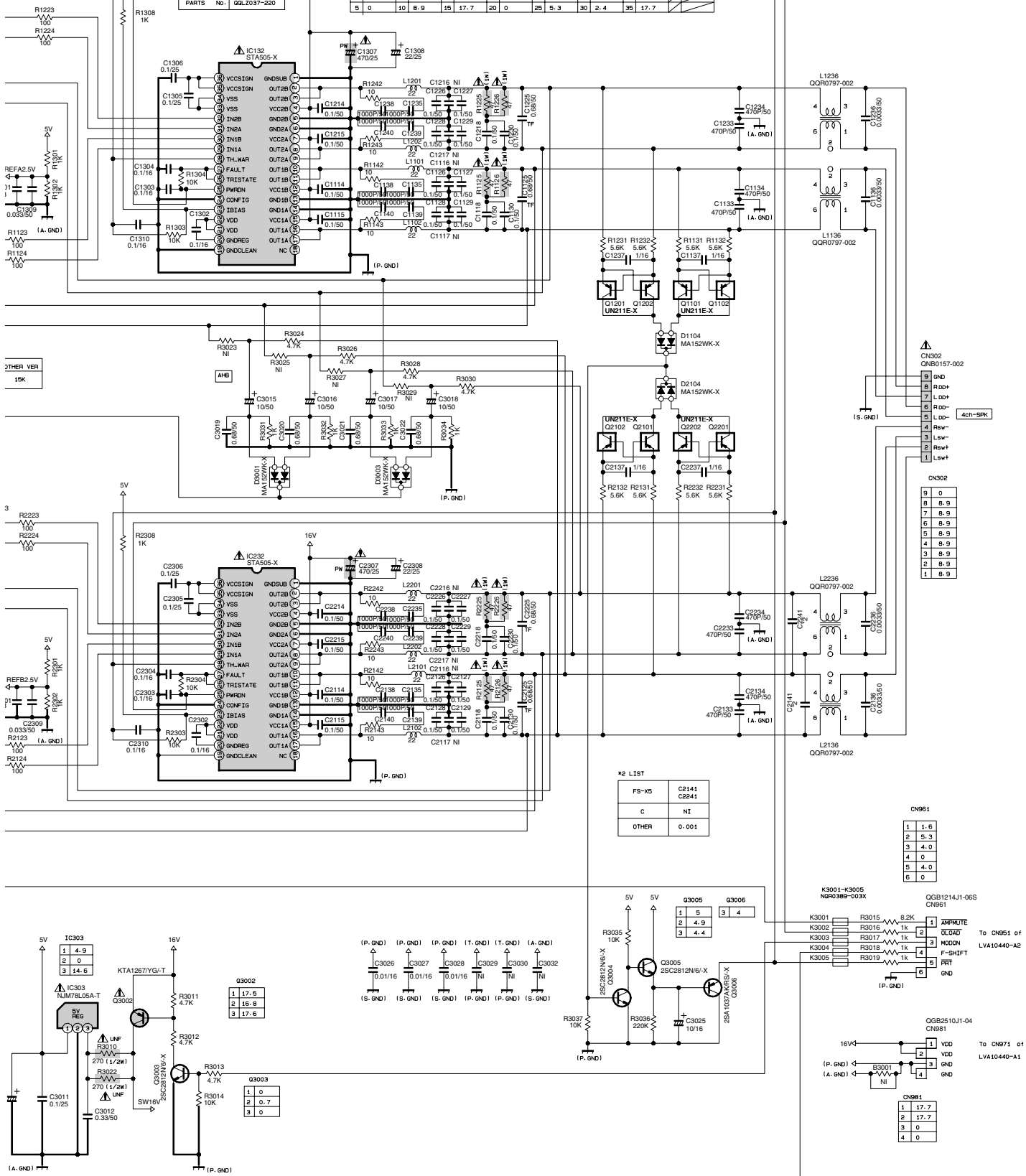
**Parts are safety assurance parts.**  
When replacing those parts make sure to use the specified one.

**NOTES**  
1. VOLTAGES ARE CD-MEASURED WITH A DIGITAL VOLT METER WITHOUT INPUT SIGNAL. CONDITION-CD STOP MODE

2. UNLESS OTHERWISE SPECIFIED:  
RESISTORS ARE 1/16W±5% METAL GLAZE RESISTOR.  
ALL RESISTANCE VALUES ARE IN OHM (Ω).  
ALL CAPACITORS ARE CERAMIC CAPACITOR OR 1 ALL CAPACITANCE VALUES ARE IN pF (pF).  
ALL INDUCTANCE VALUES ARE IN μH (μH).  
ALL E-CAPACITORS ARE SHOWN IN THE FORM RESE (#F)/RATED VOLTAGE (V).



C113	2.5
C123	2.5
C213	0
C223	2.5
C233	4.9



IC136 IC236															
1	0	6	0	11	8.9	16	8.9	21	4.9	26	5.3	31	2.4	36	17.7
2	8.9	7	17.7	12	17.7	17	8.9	22	4.9	27	5.3	32	2.4		
3	8.9	8	8.9	13	0	18	0	23	4.0	28	4.0	33	12.6		
4	17.7	9	8.9	14	0	19	0	24	0	29	2.4	34	12.6		
5	0	10	8.9	15	17.7	20	0	25	5.3	30	2.4	35	17.7		

L1101	L1201	L2101	L2001
L1102	L1202	L2102	L2002

PARTS No. QGLZ037-220

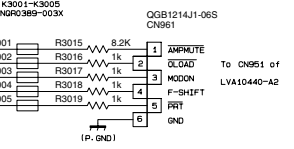
OTHER VER  
15K

FS-X5	C2141
	C2241
C	NI
OTHER	0.001

CN502	
9	GND
8	Rdd+
7	Ldd+
6	Rdd-
5	Ldd-
4	Rev+
3	Law+
2	Rdd+
1	Ldd+

CN302	
9	B. 0
8	B. 9
7	B. 9
6	B. 9
5	B. 9
4	B. 9
3	B. 9
2	B. 9
1	B. 9

CN61	
1	1.6
2	5.3
3	4.0
4	0
5	4.0
6	0



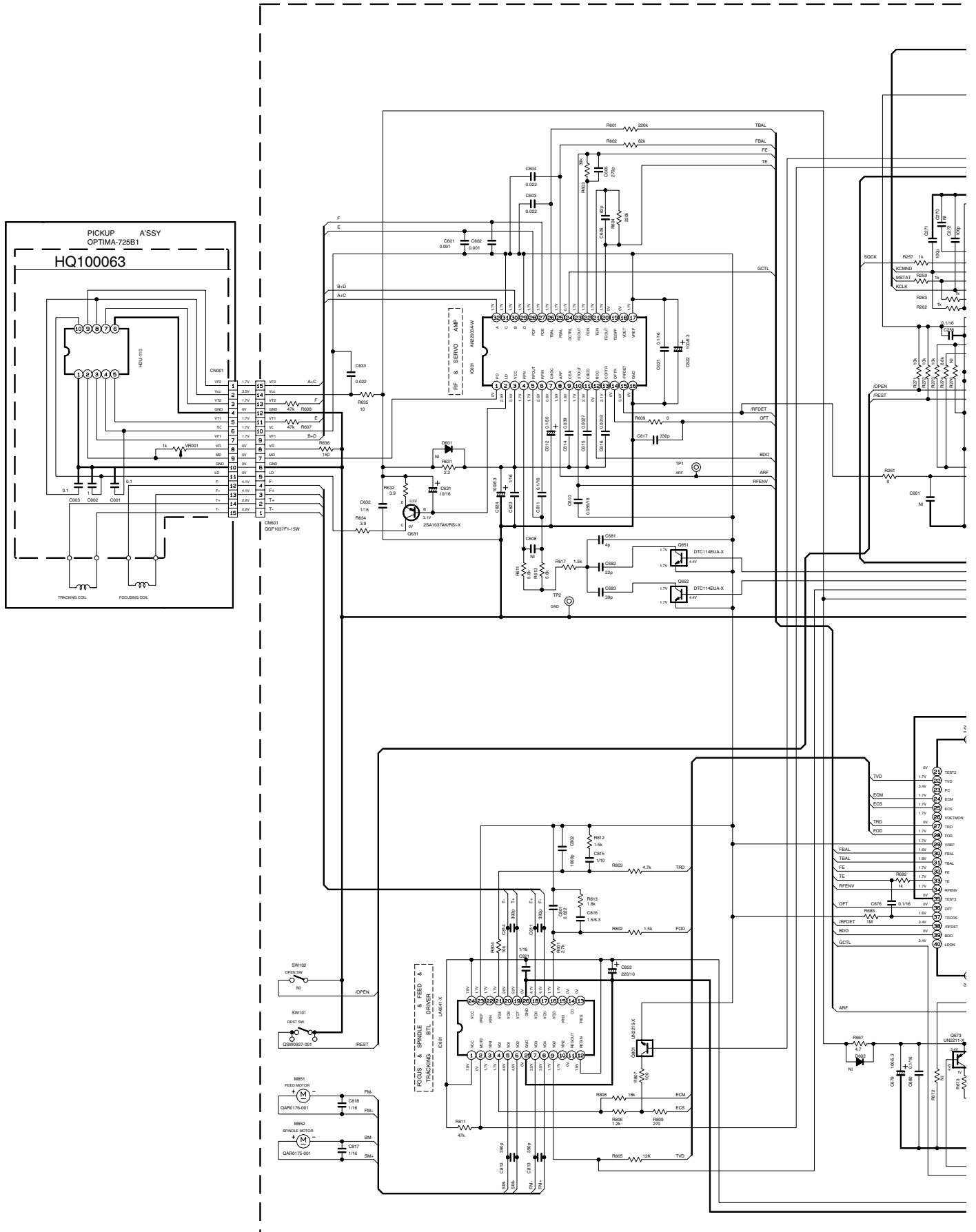
G3002		
1	17.5	
2	16.8	
3	17.6	

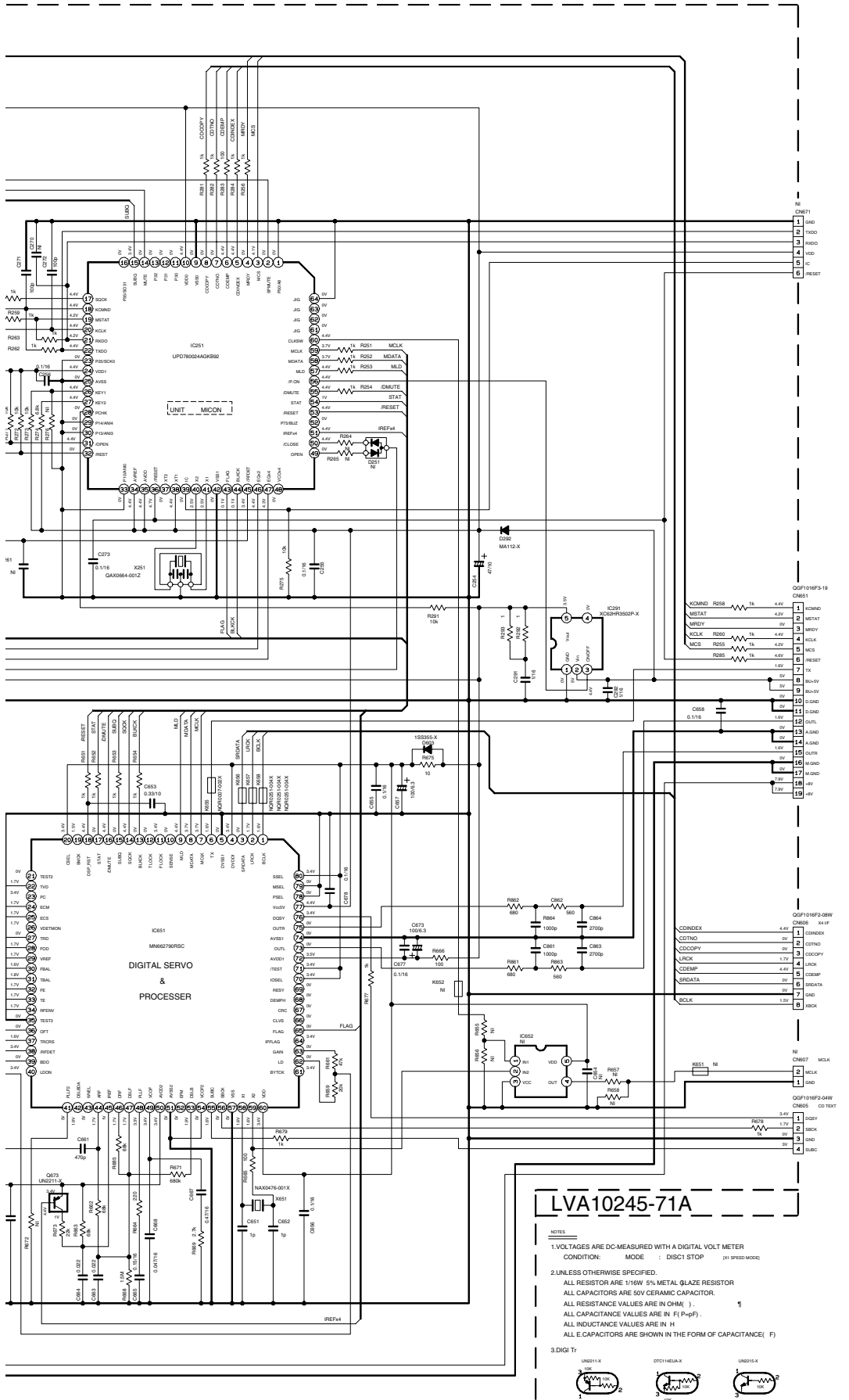
G3003	
1	0
2	0.7
3	0

RESISTOR.  
R (A).  
CAPACITOR OR MYLAR CAPACITOR.  
C (PF).  
C (PF).  
FORM RESET OF INH. CAPACITANCE

LVA10441-A1

# CD servo control section



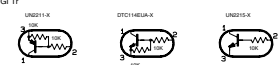


FOR FLASH MICON

TO AMP

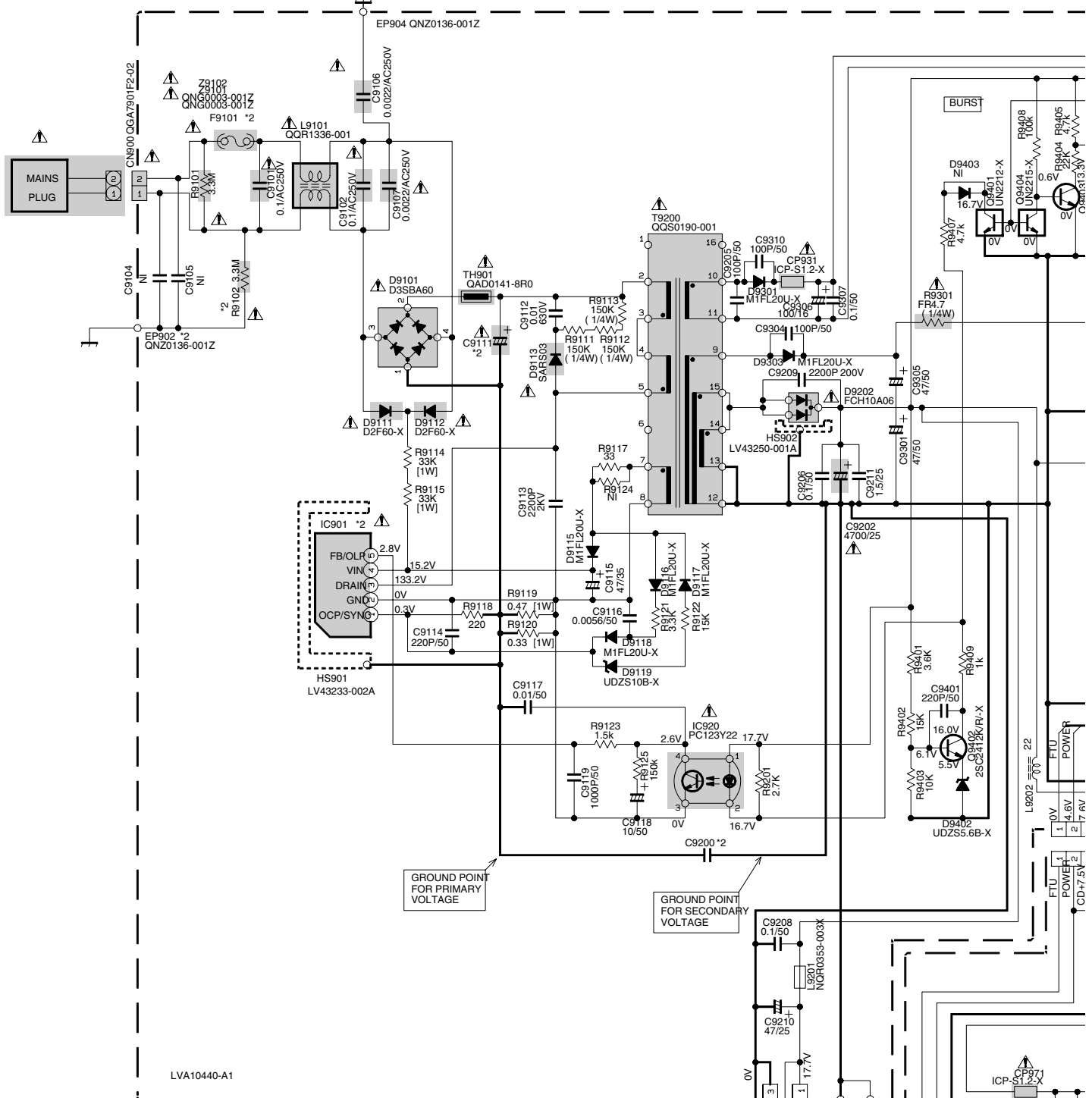
### LVA10245-71A

- NOTES
- VOLTAGES ARE DC-MEASURED WITH A DIGITAL VOLT METER  
CONDITION: MODE : DISC1 STOP (X1 SPEED MODE)
  - UNLESS OTHERWISE SPECIFIED,  
ALL RESISTOR ARE 1/16W 5% METAL GLAZE RESISTOR  
ALL CAPACITORS ARE 50V CERAMIC CAPACITOR.  
ALL RESISTANCE VALUES ARE IN OHM (  $\Omega$  )  
ALL CAPACITANCE VALUES ARE IN F ( Pico-F ).  
ALL INDUCTANCE VALUES ARE IN H  
ALL E CAPACITORS ARE SHOWN IN THE FORM OF CAPACITANCE( F )
  - DIGI T:



/RATED VOLTAGE ( V )

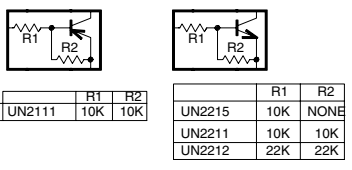
# Power supply / FL display section



	E.B.EN, EVA UF,UP.	J. C.	US.UT, UW,UJ.
R9102	NONE	USE	NONE
EP902	NONE	USE	NONE
IC901	STR-F6268M	STR-F6256S	STR-F6268M
C9111	220u/400v	470u/200v	470u/400v
F9101	T2.5AL	2.5A	T2.5AL
C9200	0.001/250V	0.0033/250V	0.001/250V

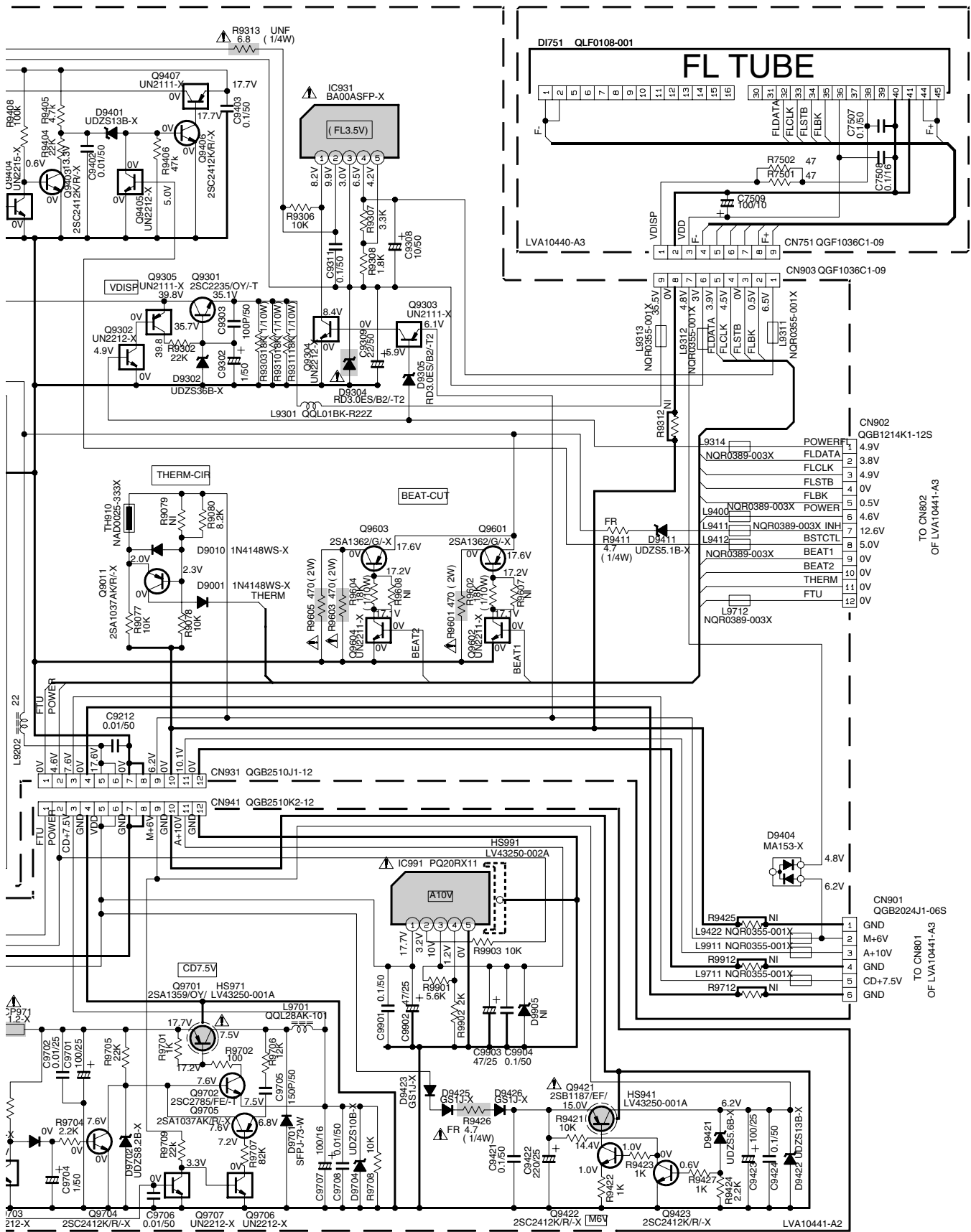
VERSION CODES

UJ : USA MILITARY BASE



Parts are safety assurance parts. When replacing those parts make sure to use the specified one.

NOTES  
1. VOLTAGES ARE DC-MEASURED CONDITION - CD STOP MODE



MEASURED WITH A DIGITAL VOLT METER WITHOUT INPUT SIGNAL.  
 TOP MODE

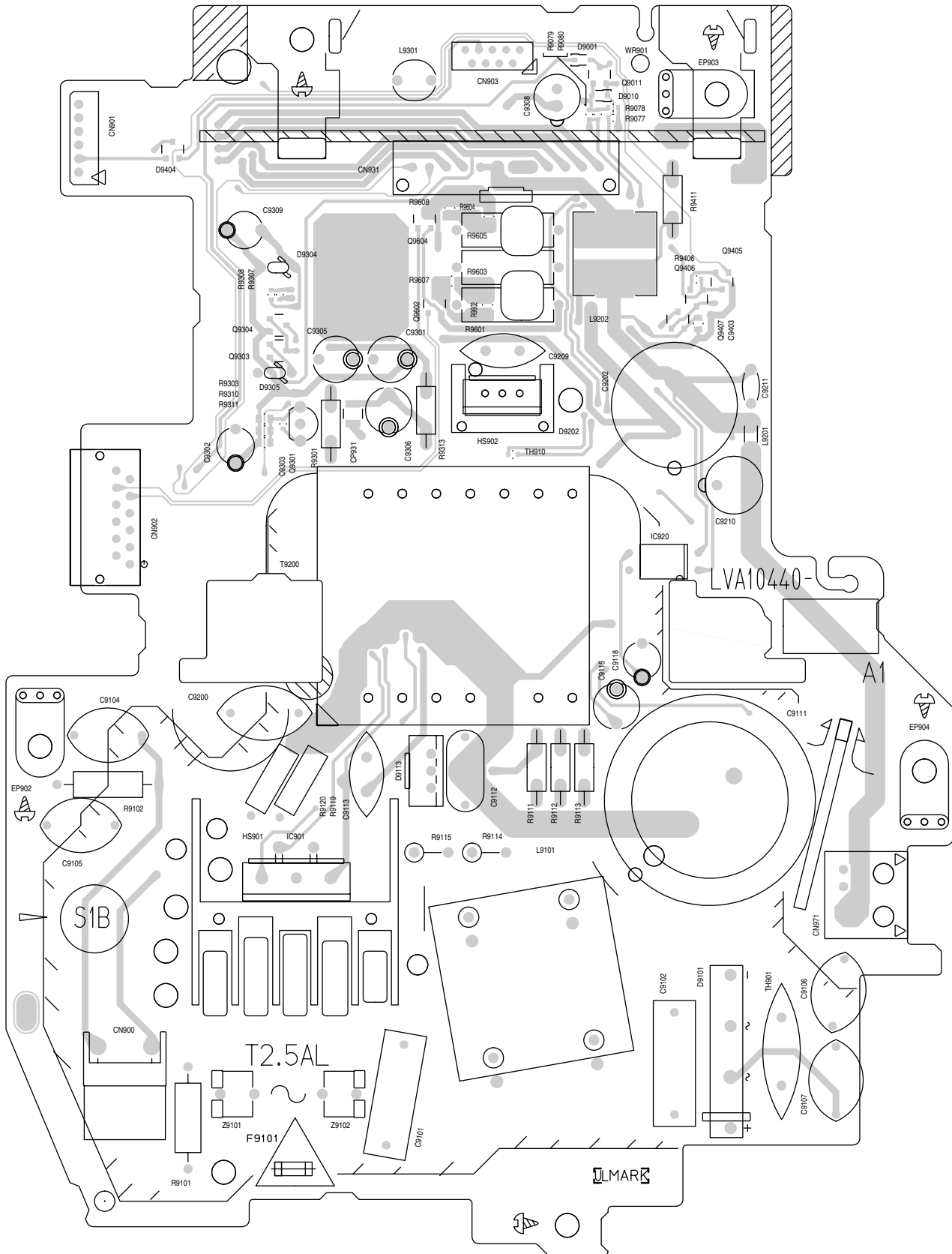
2. UNLESS OTHERWISE SPECIFIED.  
 RESISTORS ARE 1/16W 5% METAL GLAZE RESISTOR.  
 ALL RESISTANCE VALUES ARE IN OHM (Ω).  
 ALL CAPACITORS ARE CERAMIC CAPACITOR OR MYLAR CAPACITOR.  
 ALL CAPACITANCE VALUES ARE IN P (P=pF).  
 ALL INDUCTANCE VALUES ARE IN H (m=mH).  
 ALL E.CAPACITORS ARE SHOWN IN THE FORM RESET OF INH CAPACITANCE (F)/RATED VOLTAGE (V).

# Printed circuit boards

## ■ Power board (1/2)

Forward side

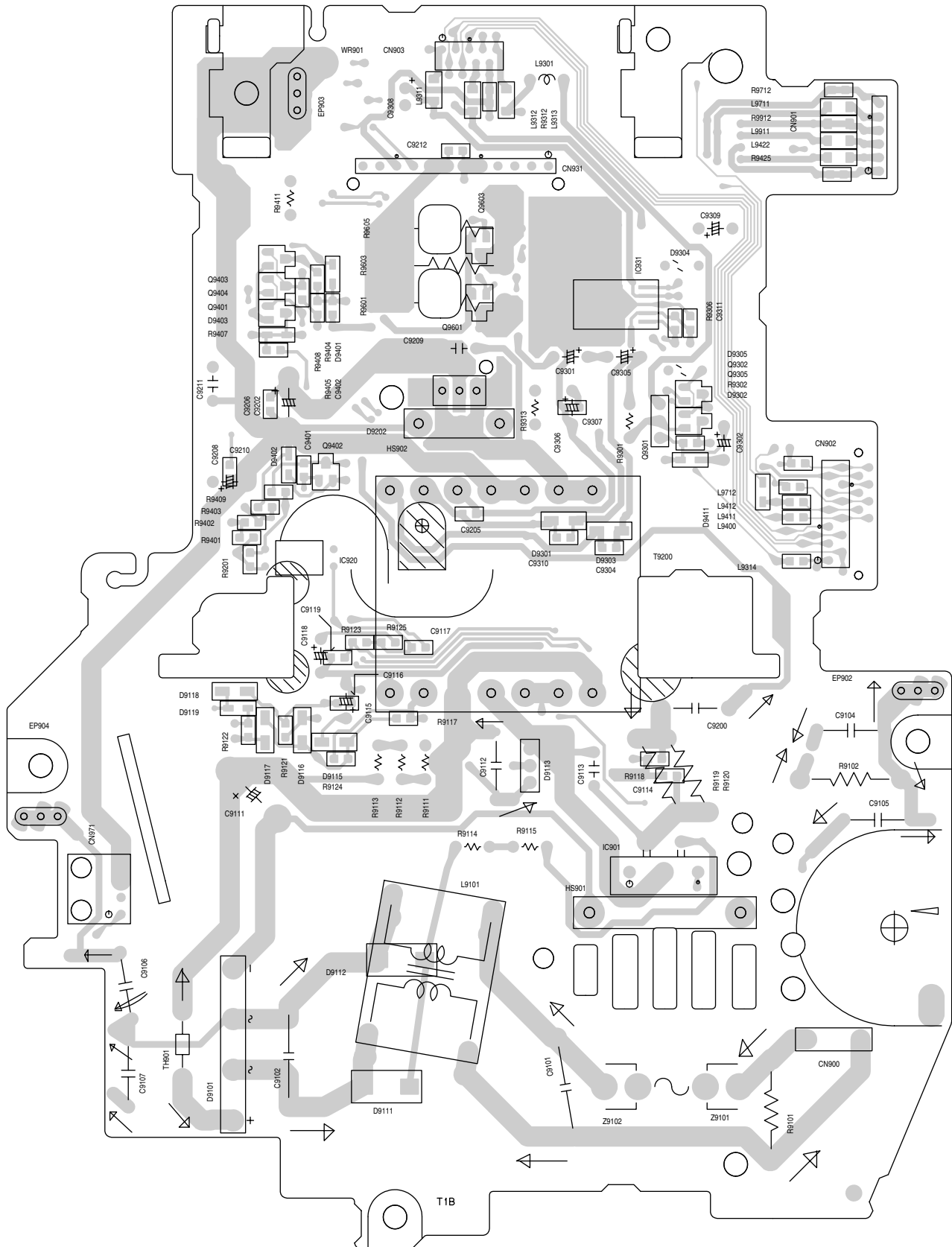
(Power supply board)





Reverse side

(Power supply board)

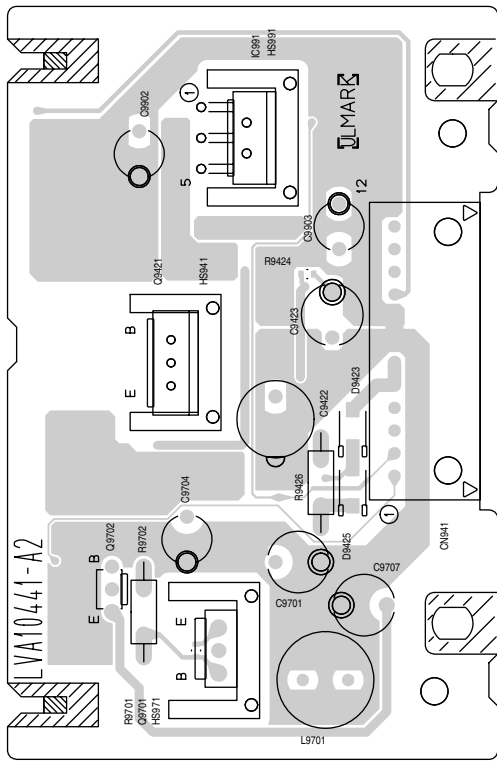




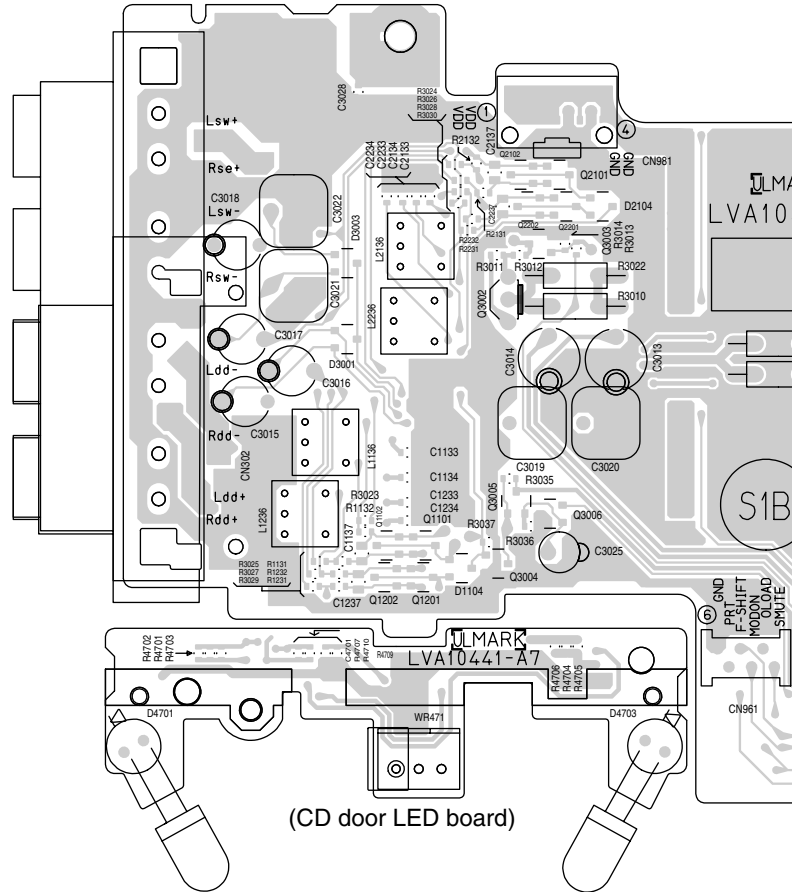


# ■ Micon board (1/2)

(Regulator board)

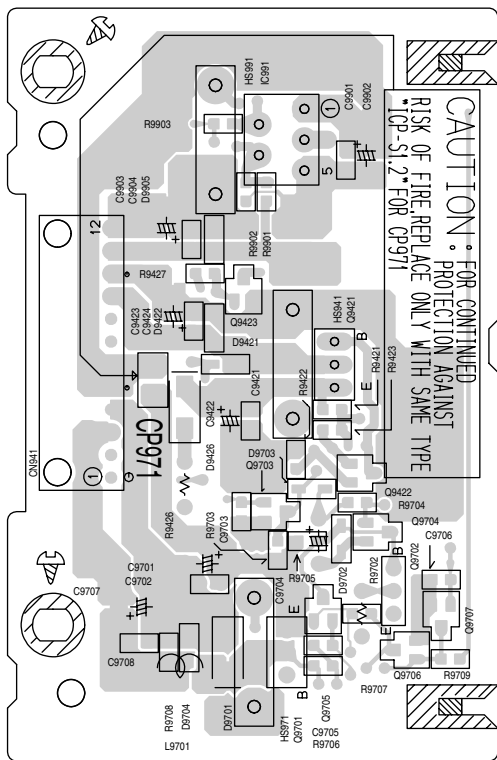


Forward side

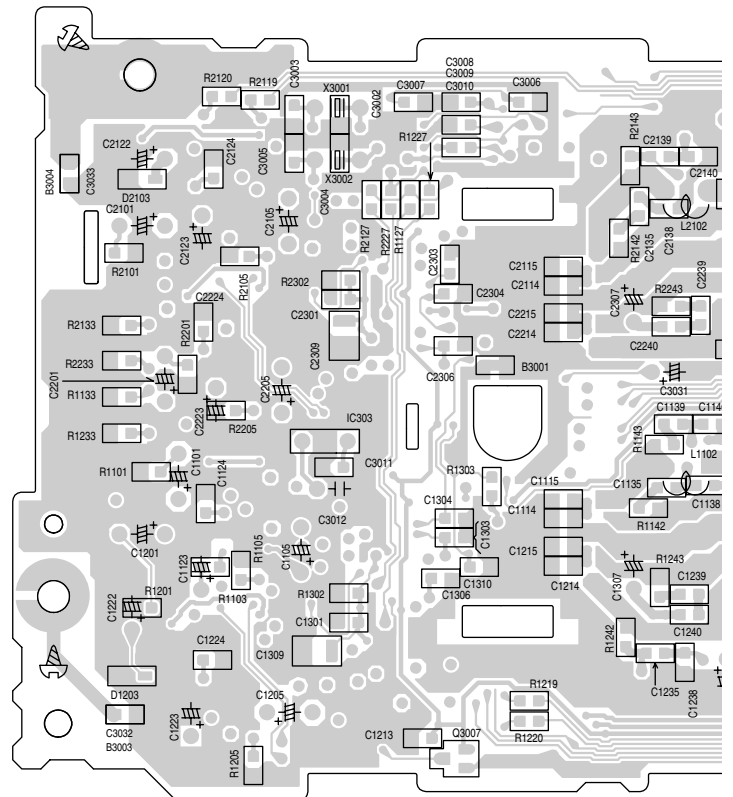


(CD door LED board)

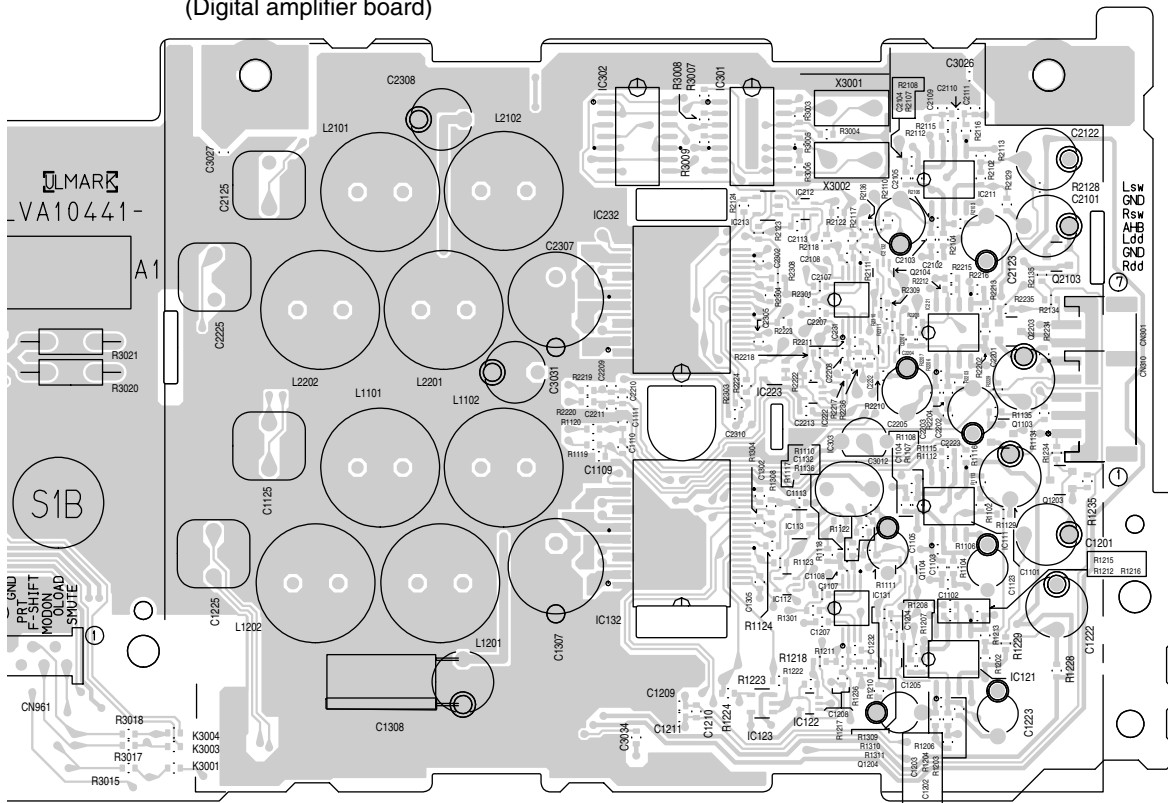
(Regulator board)



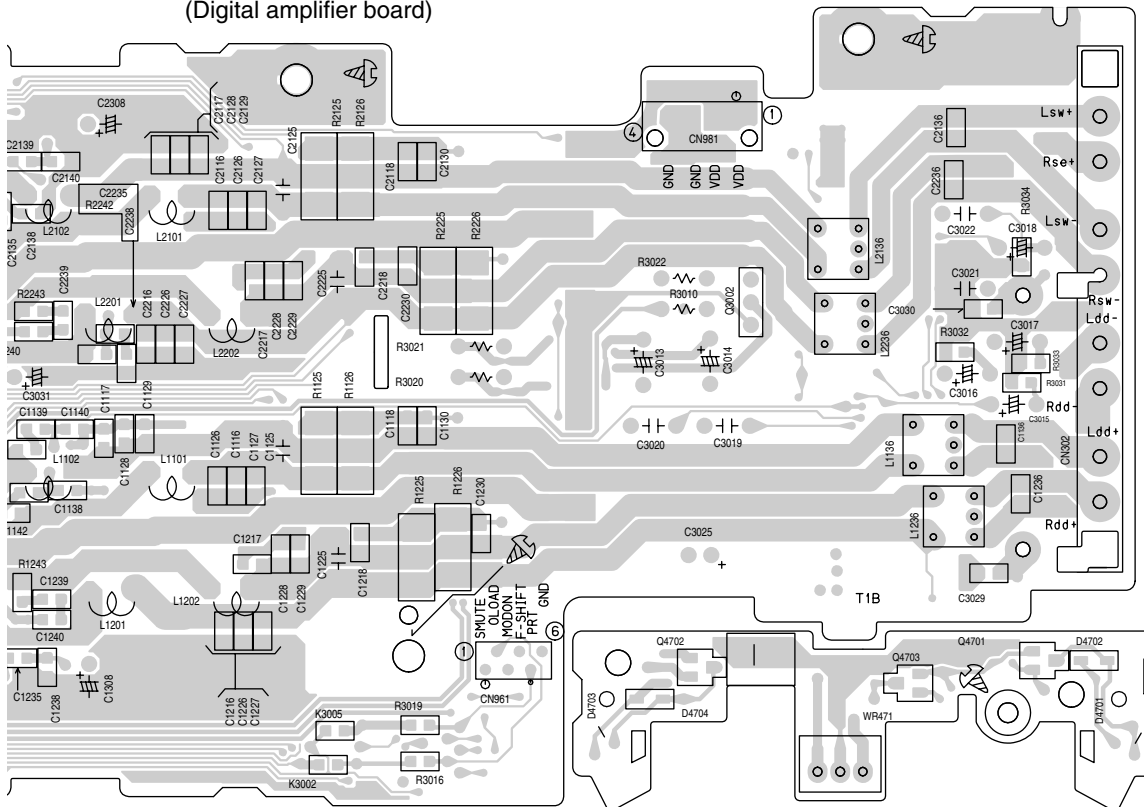
Reverse side



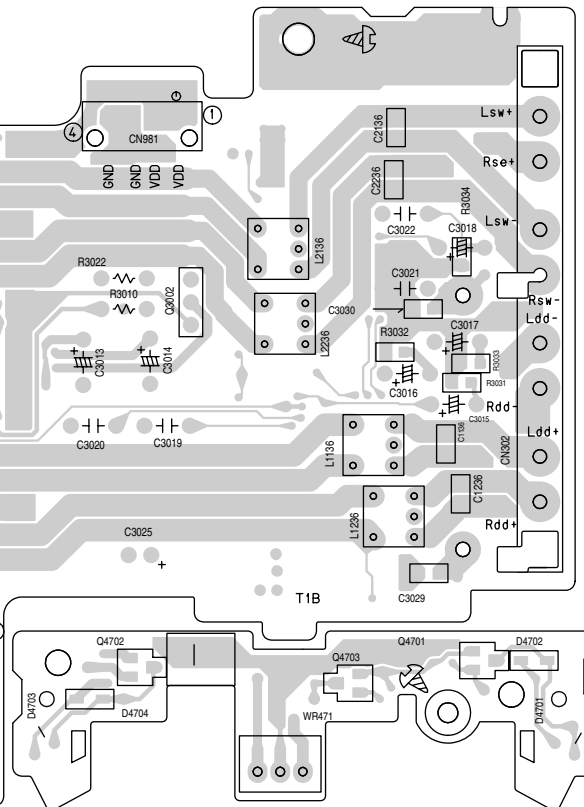
(Digital amplifier board)



(Digital amplifier board)

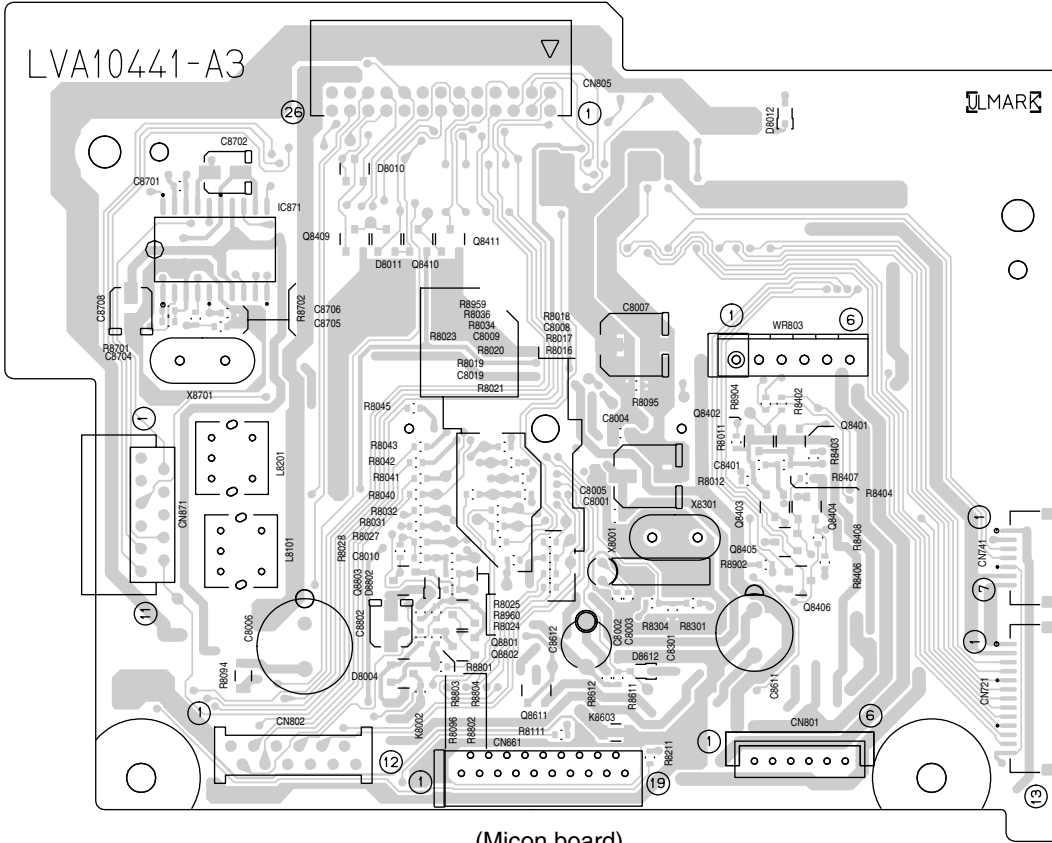


(CD door LED board)



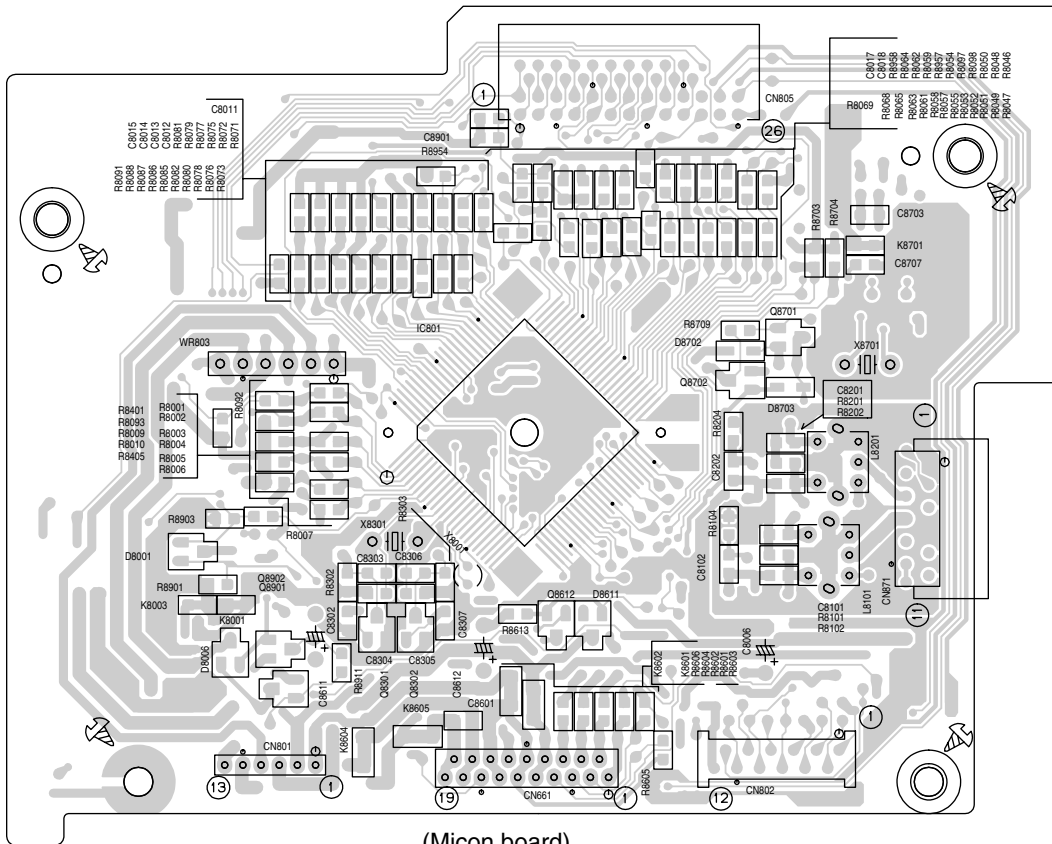
■ Micon board (2/2)

Forward side

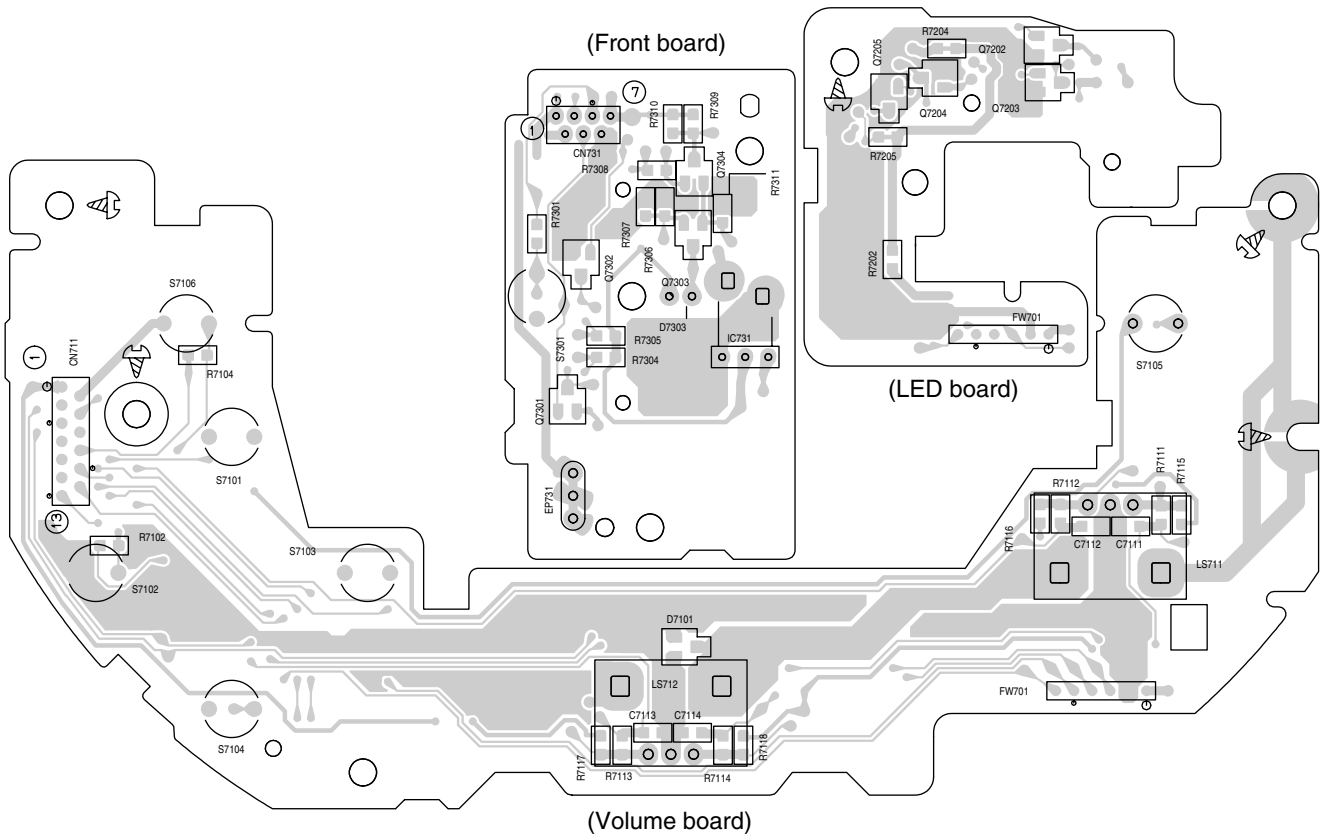
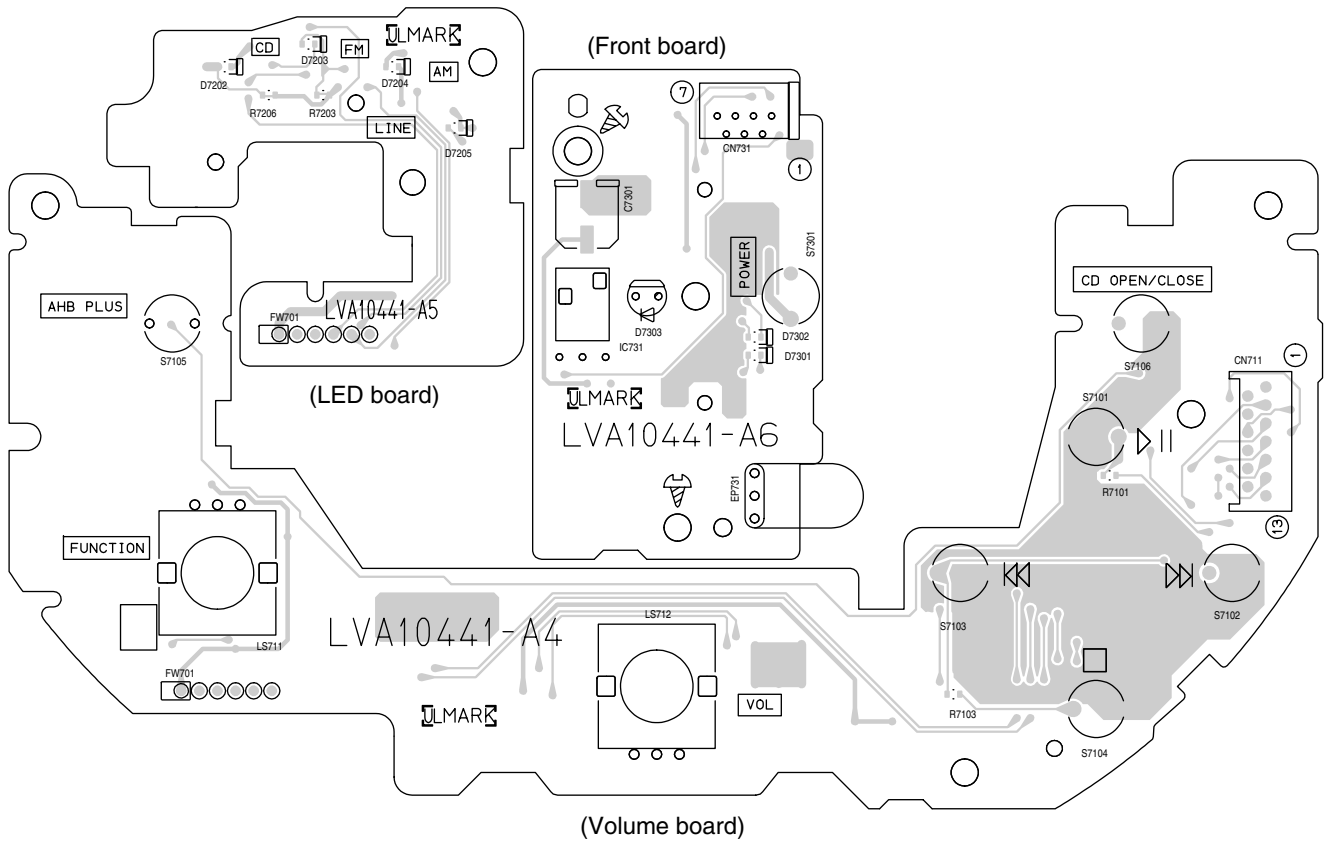


(Micon board)

Reverse side

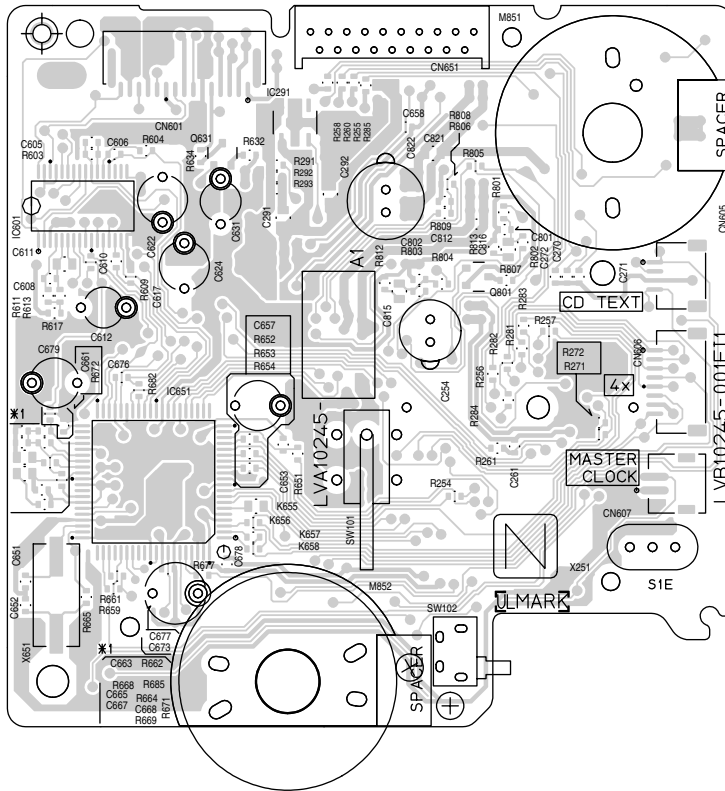


(Micon board)

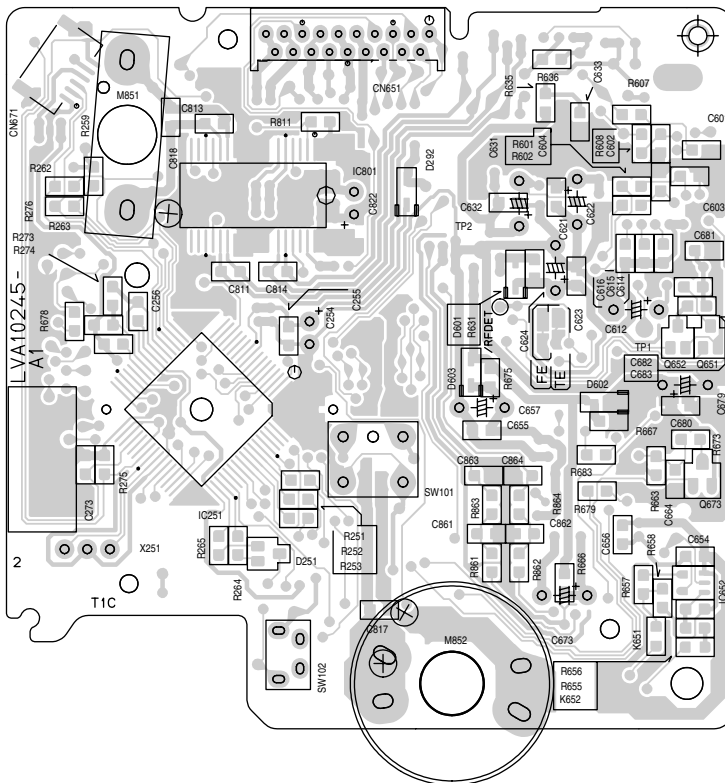


■ CD servo board

Forward side



Reverse side





< MEMO >

**JVC**

**VICTOR COMPANY OF JAPAN, LIMITED**

AV & MULTIMEDIA COMPANY AUDIO/VIDEO SYSTEMS CATEGORY 10-1, 1chome, Ohwatari-machi, Maebashi-city, 371-8543, Japan

(No.MB009SCH)



Printed in Japan  
WPC